

»FUTURA« series

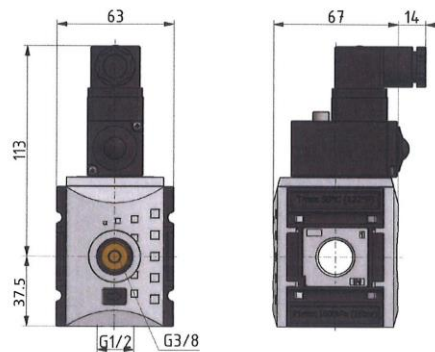
Max. input pressure	16 bar
Temperature range	-10 °C to 50 °C
Medium	Compressed air, neutral gases
Housing	PA66 GF60
Connecting thread	Material: Die-cast zinc
Outlet	2 x G 3/8, 1 x G 1/2

Manifolds with pressure switch

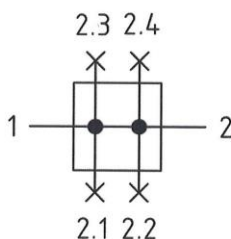
Art. No.	Type No.	Thread	Size	Adjustment range bar	Flow rate l/min
139305	FU 943-DS10	G 3/8	2	0.5 - 10	7250
139306	FU 944-DS10	G 1/2	2	0.5 - 10	7250

Accessories / spare parts

Art. No.	Type No.	Description
100043	H 852	Mounting bracket, incl. 2 screws
100044	WK 102	Wall bracket, incl. 2 screws
100045	KP 200	Joiner set, incl. 2 screws
100280	DS 9410	Pressure switches - suitable for flange mounting
100331	WK 102-38	Wall bracket with connection thread G 3/8
100332	WK 102-12	Wall bracket with connection thread G 1/2
100333	WK 102-34	Wall bracket with connection thread G 3/4
100281	22.DS9410.4	Moulded seal for flanged pressure switch
100282	1920.11P4	Coupling socket for pressure switch



symbol



- flow rate 1 => 2: 7250 l/min
- flow rate below 1 => 2.1: Qn = 5500 l/min (at P1 = 6 bar, delta p = 1 bar)
- flow rate top 1 => 2.2: Qn = 2250 l/min (at P1 = 6 bar, delta p = 1 bar)
- flow rate front 1 => 2.3: Qn = 2300 l/min (at P1 = 6 bar, delta p = 1 bar)
- flow rate back 1 => 2.4: Qn = 2300 l/min (at P1 = 6 bar, delta p = 1 bar)